



FAW TRUCKS
SOUTHERN AFRICA



J7 28.550 FT/P



Advanced Safety Technology



Luxury Driver Cab Design



Optimised Fuel Efficiency

Get it done with **the world's No.1**

CAB

Cab Control	Forward Tilt Cab
Seating	Driver + 1 Passenger
Type/Extra	Sleeper Cab with Aircon, Radio with USB, Camera and Monitor

ENGINE

Make & Model	CA6DM3-55E5
Capacity	12 520 cm ³
Layout & Type	6 cylinder in line, water cooled, turbo charged & intercooled
Power @ r/min (kW)	407 @ 1 800 rpm
Torque @ r/min (Nm)	2 600 @ 1 300-1 600 rpm

TRANSMISSION

Make & Model	ZF12TX2621TD
No. Of Gears	12 Speed AMT with Intarder
Forward Ratios	16.69, 12.92, 9.93, 7.67, 5.90, 4.57, 3.66, 2.83, 2.17, 1.68, 1.29, 1.00
Reverse Ratio	15.54, 12.03

CLUTCH

Diameter	430 mm
Type	Dry Type Single Plate
Operation	Air Assisted

STEERING

Gear Ratio	23.3:1
Type	Recirculating Ball
Operation	Hydraulic Power Assisted

PERFORMANCE

Gradeability @ V	Max 35%
Permissible Road Speed	80km/h

FUEL TANK

Number	Two
Total Capacity	700+500 Litre

AXLES

Front Axle	I-Section Beam (Forged Steel)
Rear Axle -Gearing Type	Full Floating Single Reduction
Rear Axle Ratio	3.077:1

BRAKES

System Type	Full Air - Dual Circuit with ABS/EBS
Park/Emergency System	Spring Brakes/Rear Booster
Auxiliary Braking	Engine Brake, Intarder

ELECTRICAL SYSTEM

System Voltage & Type	24V Negative Earth
Alternator Output	2 800W
No. Of Batteries	Two x 12V
Battery Capacity (Each)	240 Ampere Hour

CHASSIS

Type	Straight Ladder Type - Riveted
Front Suspension	Semi-Elliptical Leaf Springs with Double Acting Shock Absorbers
Rear Suspension	Air Suspension

WHEELS

Tyre Size	315 80R22.5-20PR
Rim Size	9.00 X 22.5
Type	Tubeless Radial

MASS DATA

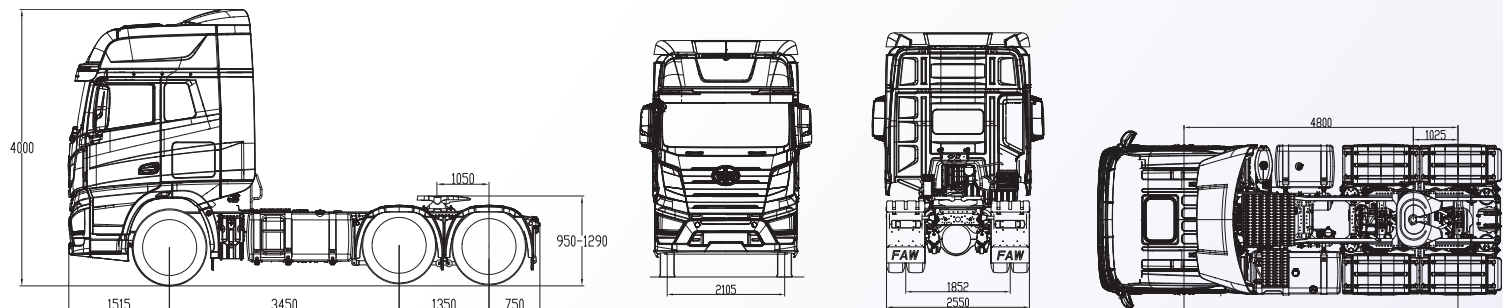
	kg
Manufacturer's Gross Vehicle Mass (GVM)	28 000
Manufacturer's Gross Combination Mass(GCM)	62 200
Manufacturer's Front Axle Mass (GA Front)	7 700
Manufacturer's Rear Axle Mass (GAU Rear)	25 000
Permissible Gross Vehicle Mass (V)	25 700
Permissible Gross Combination Mass (D/T)	56 000
Permissible Front Axle Mass (A Front)	7 700
Permissible Rear Axle Mass (A Rear)	18 000
Unladen Front Axle Mass (T Front)	5 600
Unladen Rear Axle Mass (T Rear)	3 900
Unladen Mass Total (Tare)	9 500

DIMENSIONS

	mm	mm
Wheelbase (WB)	3 450+ 1 350	Minimum Cab Clearance 425
Overall Length (OL)	7 065	Minimum Turning Radius 6 600
Cab Length (A)	2 300	Minimum Turning Diameter 13 200
Overall Width (OW)	2 550	Ground Clearance 294
Overall Height (OH)	4 000	Track - Front 2 105
Front Overhang (D)	1 515	Track - Rear 1 852
Rear Overhang (ROH)	750	Chassis Outer Width 800
Cab to Rear Axle (CA)	4 015	Chassis Inner Width 640

OTHER

Suspension seat, LED light, refrigerator, ECAS/AEBS/EBS/ESC/FCW/LDWS/TPMS



Disclaimer: The above specifications are not binding - subject to change without prior notice.